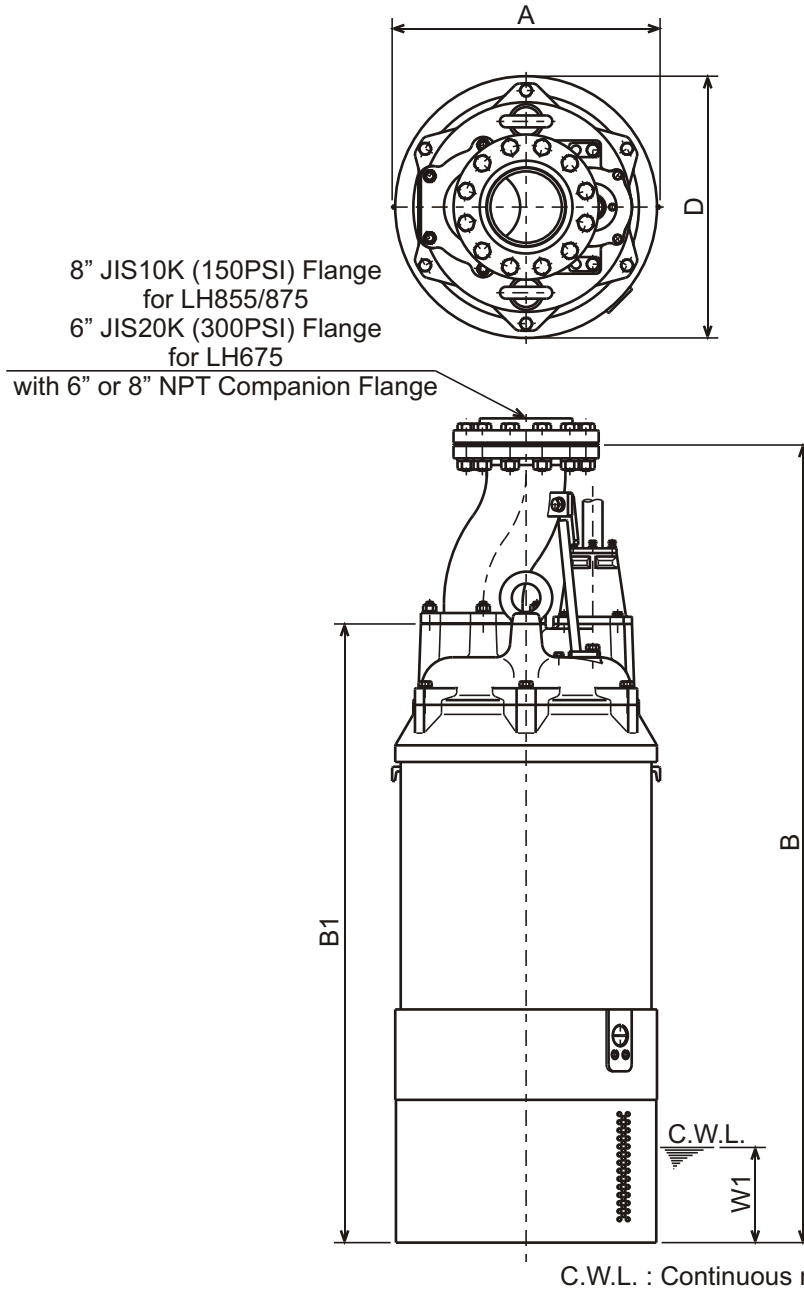




**LH - SERIES
DEWATERING PUMPS**

DIMENSIONS

**LH855-61
LH675-61
LH875-61**



DIMENSIONS:USCS (Inch)

Model	HP	NOM. SIZE	Pump & Motor				C.W.L.	Wt. (lbs.)
			A	B	B1	D	W1	
LH855-61	75	8"	22 3/16	67 9/16	51 3/16	21 5/8	7 7/8	1810
LH675-61	100	6"	22 3/16	66	51 3/16	21 5/8	7 7/8	1910
LH875-61	100	8"	22 3/16	67 9/16	51 3/16	21 5/8	7 7/8	1910

DIMENSIONS:METRIC (mm)

Model	kW	NOM. SIZE	Pump & Motor				C.W.L.	Wt. (kg)
			A	B	B1	D	W1	
LH855-61	55	200	563	1716	1300	550	200	820
LH675-61	75	150	563	1676	1300	550	200	865
LH875-61	75	200	563	1716	1300	550	200	865